

Validation Services for Remote Sensing Systems



OUR SERVICE PROFILE

- Calibrated wind test field
Grevenbroich – GERMANY
- Simultaneous validation of
multiple systems (SoDAR/LiDAR)
- Validation of any commercial
remote sensing system
- Large validation sector range (>200°)
- Comprehensive infrastructure including
IEC compliant 100/115 m met mast
- Various program and report options
- Setup and validation compliant to
new IEC 61400-12-1 ed. 2

Photo by Frank Wiedemeier

For more detailed information:

www.windtest-nrw.de

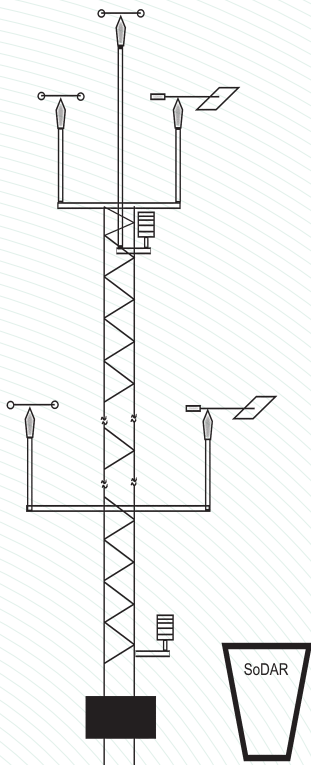
www.gwu-group.de

Or e-mail us:

info@windtest-nrw.de / info@remotesensingtest.de

Your benefit

- Reduced uncertainties of remote sensing measurement data
- Better acceptance by banks, financial institutions and investors
- Guideline compliant power performance measurements are only valid with the use of validated remote sensing devices.



GWU-Umwelttechnik GmbH

Bonner Ring 9
50374 Erftstadt · GERMANY
info@remotesensingtest.de



windtest
grevenbroich gmbh

windtest grevenbroich gmbh

Frimmersdorfer Straße 73a
41517 Grevenbroich · GERMANY
info@windtest-nrw.de



Deutsche
Akkreditierungsstelle
D-PL-11233-01-00

wtg is accredited according to DIN EN ISO/IEC 17025:2005, a full member of MEASNET and is involved in numerous national and international bodies.